

# Industrial Computer Module HMP4

Industrial Computer System

## Passive Backplane Industrial Computer

The HMP4 is a compact industrial computer module that can be connected to various front Interface modules or on its own to form a complete industrial computer solution.

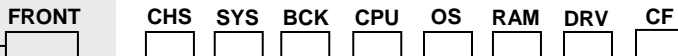


- CPU:** Celeron ULV Fanless
- Memory:** Up to 1.0 GB
- Serial Ports:** Two RS-232 with RS-422/485 Options
- USB Ports:** Three USB 2.0
- Networking:** Two 1.0 GB
- Video:** One RGB Port, On-Board Configurable
- Available Disk Drives:** 2.5" IDE Drives, Industrial Compact Flash
- Keyboard/Mouse:** One PS/2
- Available Backplanes:** PCISA 4 Slot, 1 System w/ 3 PCI or 3 ISA
- Power Supply:** 120-240 VAC
- Temperature Specs:** 0°-50°C (32°- 122°) operating  
-25°-60°C (-4°-140°) non-operating
- Relative Humidity:** 10 ~ 95% non-condensing
- Shock:** 10G operating - 15G non-operating
- Vibration:** 1.0G from 57-2000 Hz operating  
2.5G from 57-2000 Hz non-operating

## Specifications & Configurator

### AVAILABLE FRONT INTERFACE MODULES

- FX10 10" SVGA TFT LCD
- FX12 12" SVGA TFT LCD



### CHASSIS MODULE

HMP4 Passive Backplane, 120-240 VAC

### SYSTEM CONFIGURATION

S1 PCISA Board, 2 Ethernet 1.0 Gb Ports, 3 USB 2.0 Ports, 2 RS232 Ports (RS422/485 Options), 1 PS/2

### PASSIVE BACKPLANE CONFIGURATION

C PCISA – 4 Slot (1 System, 3 PCI)  
D PCISA – 4 Slot (1 System, 3 ISA)

### CPU CONFIGURATION

N1 1.0 GHz Celeron ULV Fanless 400 FSB

### OPERATING SYSTEM

XX No Operating System    XP Windows XP Pro  
W2 Windows 2000 Pro    EX Windows XP Embedded

### MEMORY

K 256 MB DDR RAM  
L 512 MB DDR RAM  
P 1.0 GB DDR RAM

### INTERNAL DRIVE

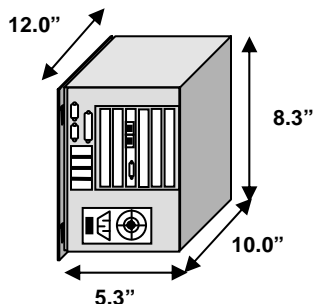
XX No Internal HD  
4N 40 GB 2.5" HD  
8N 80 GB 2.5" HD

### INTERNAL COMPACT FLASH CARD

XX No Internal CF Card    C5 1.0 GB Industrial CF    C7 4.0 GB Industrial CF  
C4 512 MB Industrial CF    C6 2.0 GB Industrial CF    C8 8.0 GB Industrial CF

### DIMENSIONS

Image not to scale



Dynics Inc  
4330 Varsity Drive  
Ann Arbor MI 48108  
734.677.6100