

FX20 Front Interface Module



NEMA 4X Stainless Steel



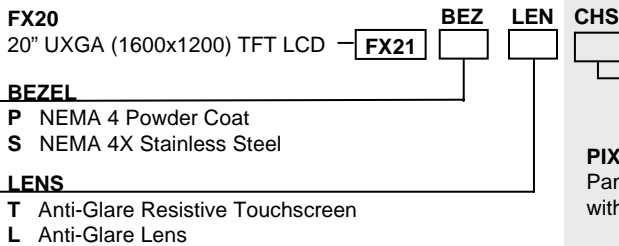
FX20 with PIX0 Chassis

Industrial 20" Front Interface Module

The FX20 is a bracket-mounted front interface module that can be connected to various Chassis Modules to form a complete industrial computer solution.

- Panel:** 20" TFT LCD
- Resolution:** UXGA 1600 x 1200
- Viewing Angle:** (h|v): -89/+89 | -89/+89
- Brightness:** 300 nits
- Bulb Life:** CCFT @ 50,000 Hours
- Lens:** Anti-Glare 5-Wire Resistive Touchscreen
OR Anti-Glare Lexan
- Contrast Ratio:** 1000:1

Specifications & Configurator



AVAILABLE CHASSIS MODULES

Use specific chassis configurator to complete P/N

Panel Mounting Depths

PIX Chassis - Compact Panel PC modules available with 0,1 and 3 slot options.

PIX0



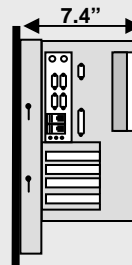
PIX1



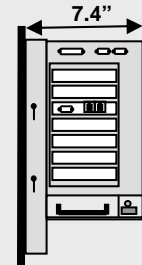
PIX3



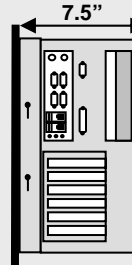
MTX3 Chassis - Active backplane system with 3 PCI slots.



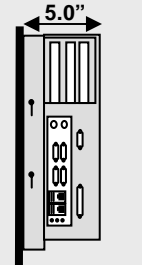
FGX7 Chassis - Passive backplane system with 1 PICMG/2 ISA/3 PCI slots and pull-out hard drive



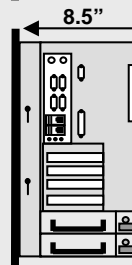
ATX7 Chassis - Active backplane system with 6 PCI slots.



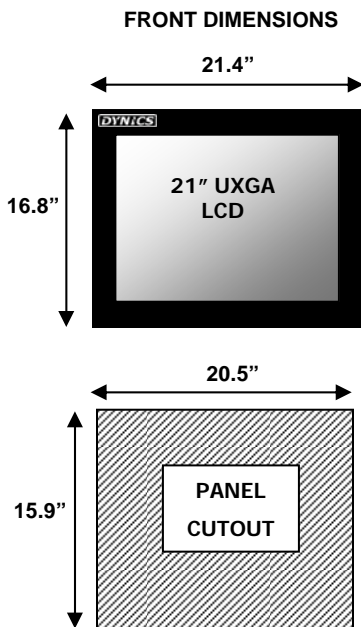
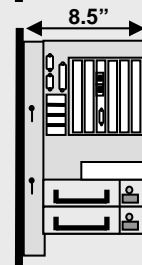
ITX3 Chassis - Active backplane thin system with 3 PCI slots.



MAF4 Chassis - Active backplane system with 3 PCI slots and pull-out hard drives.



FGE6 Chassis - Passive backplane system with 1 PICMG/2 ISA/3 PCI slots and pull-out hard drives



*Mounting depth is increased 0.60" with rear mounted thin CD/DVD drive
Illustrations are not to scale



Dynics Inc
4330 Varsity Drive
Ann Arbor MI 48108
734.677.6100

Industrial Computer Module **FGX7**

Industrial Computer System

Passive Backplane Industrial Computer



The FGX7 is an industrial computer module that can be connected to various front Interface modules or on its own to form a complete industrial computer solution.

- CPU:** Core 2 Duo, Celeron ULV
- Memory:** Up to 2.0 GB
- Serial Ports:** Two RS-232 with RS-422/485 Options
- USB Ports:** Two to Three USB 2.0
- Networking:** Two 1.0 Gb
- Video:** One RGB Port, On-Board Configurable
- Available Disk Drives:** 3.5" IDE Drives, Solid-State Drives
- Keyboard/Mouse:** One PS/2
- Expansion Slots:** Configurable PICMG, PCI, ISA
- Power Supply:** 120-240 VAC
- Temperature Specs:** 0°-50°C (32°- 122°) operating
-25°-60°C (-4°-140°) non-operating
- Relative Humidity:** 10 ~ 95% non-condensing
- Shock:** 10G operating - 15G non-operating
- Vibration:** 1.0G from 57-2000 Hz operating
2.5G from 57-2000 Hz non-operating

Specifications & Configurator

AVAILABLE FRONT INTERFACE MODULES

- FX15** 15" XGA TFT LCD
- FX17** 17.1" SXGA TFT LCD
- FX19** 19" SXGA TFT LCD
- FX20** 20" UXGA TFT LCD

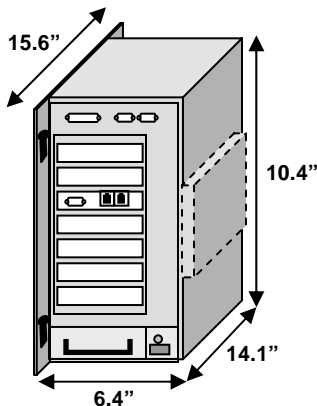
- IC15** 15" XGA TFT LCD
- IC17** 17.1" SXGA TFT LCD

- WX15** 15" XGA TFT LCD
- WX17** 17.1" SXGA TFT LCD

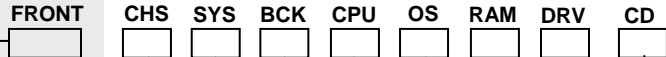
- INX6** 10.4" VGA LCD Keypad
- INX9** 12.1" SVGA LCD Keypad
- INX95** 12.1" SVGA TFT LCD
- INX85** 15" XGA TFT LCD
- AAT2** 18.1" SXGA TFT LCD

DIMENSIONS

Image not to scale



CD/DVD Increases width 0.60"



CHASSIS MODULE

FGX7 Passive Backplane, 120-240 VAC

SYSTEM CONFIGURATION

- P3** Core 2 Duo/Celeron D/Pentium D board, 2 1.0 Gb Ethernet ports, 2 USB 2.0, 2 RS232 Port, 1 PS/2
- S1** PCISA Board, 2 Ethernet 1.0 Gb Ports, 3 USB 2.0 Ports, 2 RS232 Ports (RS422/485 Options), 1 PS/2

PASSIVE BACKPLANE CONFIGURATION

- J** PICMG Combo 7 Slot: 1 Sys, 3 ISA, 3 PCI (*P3 System*)
- L** PCISA 7 Slot: 1 System, 2 ISA, 4 PCI (*S1 System*)
- I** ISA 6 Slot: 1 System, 5 ISA (*P3 System*)

CPU CONFIGURATION

- TC** 1.46 GHz Celeron M 533MHz FSB (*P3 System*)
- T0** 1.6 GHz Core 2 Duo Mobile 533MHz FSB (*P3 System*)
- T2** 2.16 GHz Core 2 Duo Mobile 667MHz FSB (*P3 System*)
- N1** 1.0 GHz Celeron ULV 400 FSB (*S1 System*)

OPERATING SYSTEM

- XX** No Operating System **XP** Windows XP Pro
- W2** Windows 2000 Pro **EX** Windows XP Embedded

MEMORY

- K** 256 MB DDR RAM **P** 1.0 GB DDR RAM
- L** 512 MB DDR RAM **R** 2.0 GB DDR RAM

DRIVE BAY

- XX** No Internal Drive **E9** 16.0 GB Solid-State Drive
- 80** 80 GB 3.5" Hard Drive **EA** 32.0 GB Solid-State Drive
- E8** 8.0 GB Solid-State Drive

CD CONFIGURATION

- N** No CD Drive
- Z** Rear Cover Mount Slim DVD/CD-RW
- B** Rear Cover Mount Slim DVD-RW



Dynics Inc
4330 Varsity Drive
Ann Arbor MI 48108
734.677.6100