

FX20 Front Interface Module



NEMA 4X Stainless Steel



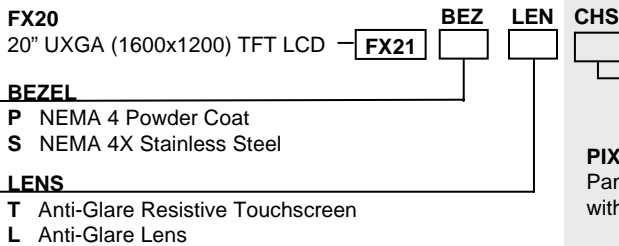
FX20 with
PIX0 Chassis

Industrial 20" Front Interface Module

The FX20 is a bracket-mounted front interface module that can be connected to various Chassis Modules to form a complete industrial computer solution.

- Panel:** 20" TFT LCD
- Resolution:** UXGA 1600 x 1200
- Viewing Angle:** (h|v): -89/+89 | -89/+89
- Brightness:** 300 nits
- Bulb Life:** CCFT @ 50,000 Hours
- Lens:** Anti-Glare 5-Wire Resistive Touchscreen
OR Anti-Glare Lexan
- Contrast Ratio:** 1000:1

Specifications & Configurator



AVAILABLE CHASSIS MODULES

Use specific chassis configurator to complete P/N

Panel Mounting
Depths

PIX Chassis - Compact
Panel PC modules available
with 0,1 and 3 slot options.

PIX0



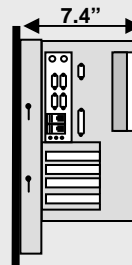
PIX1



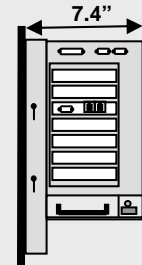
PIX3



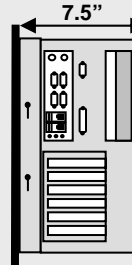
MTX3 Chassis -
Active backplane
system with 3 PCI
slots.



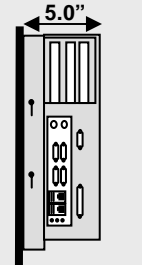
FGX7 Chassis -
Passive backplane
system with 1
PICMG/2 ISA/3
PCI slots and pull-
out hard drive



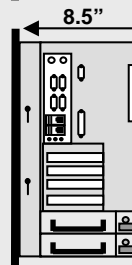
ATX7 Chassis -
Active backplane
system with 6 PCI
slots.



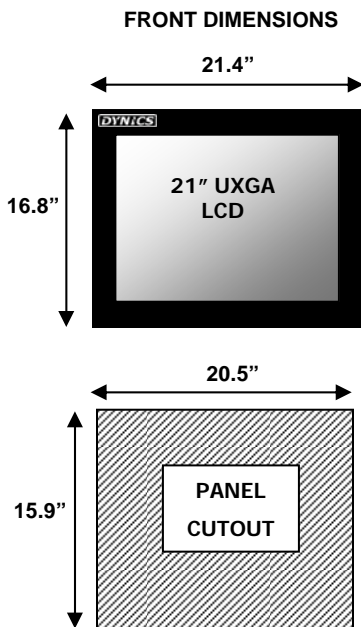
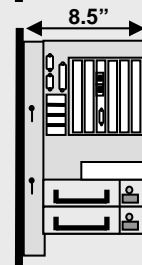
ITX3 Chassis -
Active backplane
thin system with 3
PCI slots.



MAF4 Chassis -
Active backplane
system with 3
PCI slots and
pull-out hard
drives.



FGE6 Chassis -
Passive backplane
system with 1
PICMG/2 ISA/3
PCI slots and pull-
out hard drives



Dynics Inc
4330 Varsity Drive
Ann Arbor MI 48108
734.677.6100

*Mounting depth is increased 0.60" with rear mounted thin CD/DVD drive
Illustrations are not to scale

Industrial Computer Module FGE6

Industrial Computer System



Passive Backplane Industrial Computer

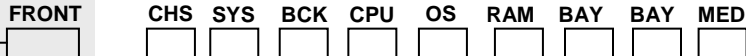
The FGE6 is an industrial computer module that can be connected to various front Interface modules or on its own to form a complete industrial computer solution.

- CPU:** Core 2 Duo, Celeron ULV
- Memory:** Up to 2.0 GB
- Serial Ports:** Two RS-232 with RS-422/485 Options
- USB Ports:** Two to Three USB 2.0
- Networking:** Two 1.0 Gb
- Video:** One RGB Port, On-Board Configurable
- Available Disk Drives:** 3.5" IDE Drives, Solid-State Drives
- Keyboard/Mouse:** One PS/2
- Expansion Slots:** Configurable PICMG, PCI, ISA
- Power Supply:** 120-240 VAC
- Temperature Specs:** 0°-50°C (32°- 122°) operating
-25°-60°C (-4°-140°) non-operating
- Relative Humidity:** 10 ~ 95% non-condensing
- Shock:** 10G operating - 15G non-operating
- Vibration:** 1.0G from 57-2000 Hz operating
2.5G from 57-2000 Hz non-operating

Specifications & Configurator

AVAILABLE FRONT INTERFACE MODULES

- FX19** 19" SXGA TFT LCD
- FX20** 20" UXGA TFT LCD
- IC15** 15" XGA TFT LCD
- IC17** 17.1" SXGA TFT LCD



CHASSIS MODULE

FGE6 Passive Backplane, 90-265 VAC

SYSTEM CONFIGURATION

- P3** Core 2 Duo/Celeron D/Pentium D board, 2 1.0 Gb Ethernet ports, 2 USB 2.0, 2 RS232 Port, 1 PS/2
- S1** PCISA Board, 2 Ethernet 1.0 Gb Ports, 3 USB 2.0 Ports, 2 RS232 Ports (RS422/485 Options), 1 PS/2

PASSIVE BACKPLANE CONFIGURATION

- F** PICMG Combo 6 Slot: 1 Sys, 2 ISA, 3 PCI (*P3 System*)
- H** PCISA 6 Slot: 1 System, 2 ISA, 3 PCI (*S1 System*)
- I** ISA 6 Slot: 1 System, 5 ISA (*P3 System*)

CPU CONFIGURATION

- TC** 1.46 GHz Celeron M 533MHz FSB (*P3 System*)
- T0** 1.6 GHz Core 2 Duo Mobile 533MHz FSB (*P3 System*)
- T2** 2.16 GHz Core 2 Duo Mobile 667MHz FSB (*P3 System*)
- N1** 1.0 GHz Celeron ULV 400 FSB (*S1 System*)

OPERATING SYSTEM

XX No Operating System **XP** Windows XP **W2** Windows 2000

MEMORY

- K** 256 MB DDR RAM **P** 1.0 GB DDR RAM
- L** 512 MB DDR RAM **R** 2.0 GB DDR RAM

DRIVE BAY 1

80 80 GB 3.5" HD w/ Pull-Out Drawer **12** 120 GB 3.5" HD w/ Pull-Out Drawer

DRIVE BAY 2

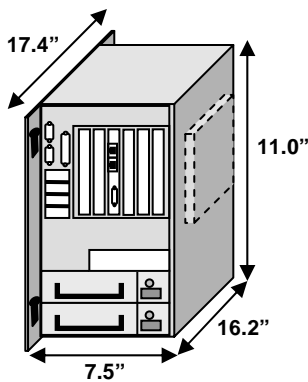
80 80 GB 3.5" HD w/ Pull-Out Drawer **Y** 5.25" CD-ROM/RW/DVD/DVD-RW
12 120 GB 3.5" HD w/ Pull-Out Drawer **XX** Empty Drive Bay

ADDITIONAL MEDIA OPTIONS

- N** No Additional Media Required **Z** Rear Cover Mount Slim DVD/CD-RW
- F** Internal 3.5" Floppy Drive **B** Rear Cover Mount Slim DVD-RW

DIMENSIONS

Image not to scale



CD/DVD Increases width 0.60"



Dynics Inc
4330 Varsity Drive
Ann Arbor MI 48108
734.677.6100