

Description

The WX front display module is a stud-mounted competitive drop-in replacement front interface module. Replacement for Legacy Ann Arbor Technologies WebLink 15F.

The MTX3 is an industrial computer module, active backplane with 3 slots and high power Micro ATX board. Display bezel comes in two options: Stainless steel or black powder coated.

Key Features

- Rugged modular steel construction built to order
- Active backplane with 120-240 VAC Power Supply
- Configured in models with 3 Slots

Specifications



WX MONITOR DISPLAY

SPECS	WX15	WX17
Display Size	15.1" TFT LCD	17.1" TFT LCD
Resolution	XGA 1024 x 768	SXGA 1280 x 1024
Viewing Angle	H:-70°/+70°,V:-65°/+70°	H:-70°/+70°,V:-65°/+70°
Contrast Ratio	700:1	800:1
Brightness	350 nits	300 nits
Bulb Life	CCFT Back Life estimated to be about 50,000 hours	
Interface Lens	5-Wire analog resistive touch sensor OR Protective lexan lens	
Mounting Bezel	NEMA 4 Powder coated aluminum OR NEMA 4X stainless steel	
Warranty	24 Month Limited Warranty. Extended warranty available, contact us for more details	

MTX3 CHASSIS MODULE

SPECS	MTX3
Expansion Slots	3 Slots
System	MicroATX Intel iCore Mobile Board: 1x PCIe x4, 1 PCIe x16, 2x Ethernet 1Gb, 4x USB 2.0 Ports, 3x RS232, 1x RS231/422/485, PS/2, Audio I/O, VGA, DVI
CPU	Intel iCore i3, i5, i7
Operating System	Windows XP Pro, Windows XP Embedded, Windows 2000, Windows Vista, Windows 7, ROMDOS
Memory	2.0Gb to 8Gb DDR3
Storage Drives	2.5" SATA or PATA Hard Drives / 2.5" Solid State Drives / Industrial Compact Flash Cards
Media Drives	Slim DVD/DVD-RW/CD/CD-RW
Power Supply	1U 120~240 VAC Power Supply or Open Frame Fanless 24VDC Power Supply
Temperature	0°~50°C (32°~122°F) Operating / -25°~60°C (-4°~140°F) Non-Operating
Relative Humidity	20% ~ 80% Non-Condensing
Shock	10G Operating / 15G Non-Operating
Vibration	1.0G from 57-2000 Hz Operating / 2.5G from 57-2000 Hz Non-Operating
Warranty	24 Month Limited Warranty. Extended Warranty Available, Contact Us For More Details

WX-MTX3



Integrated Industrial Panel PC

DATASHEET

Dimensions

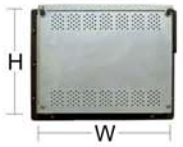


DISPLAY FRONT DIMENSIONS

	WX15	WX17
Height	12.1"	14.1"
Width	15.3"	17.1"

MOUNTING DEPTH DIMENSIONS

	WX15	WX17
MTX3	8.0"	8.0"



PANEL CUTOUT DIMENSIONS

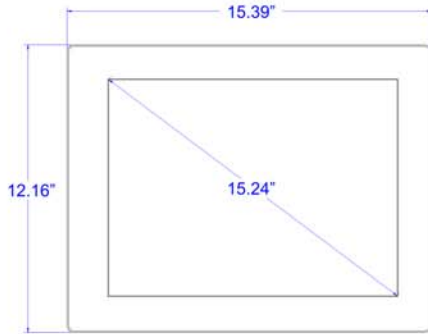
	WX15	WX17
Height	11.3"	13.1"
Width	14.6"	16.1"

WORKSTATION WEIGHTS

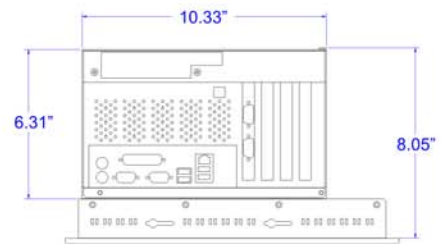
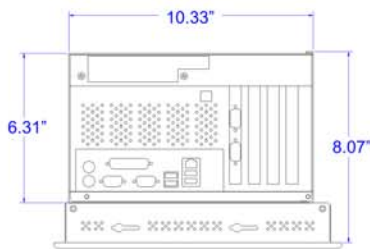
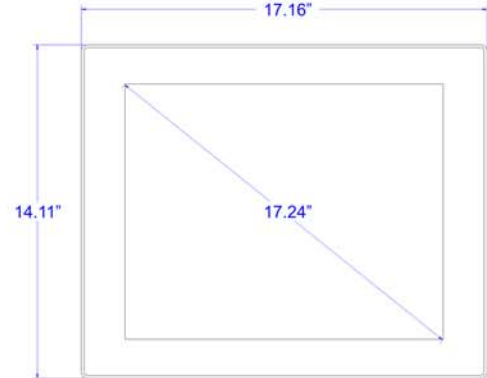
	WX15	WX17
MTX3	26.55 lbs	30.45 lbs

Mechanical Drawing

WX15-MTX3



WX17-MTX3



All measurements are in inches and pounds, unless noted. Picture and drawings are not to scale.
 Estimated weight may change depending on additional options.
 Dynics reserves the right to change, modify, upgrade or discontinue to its discretion any part of this datasheet without any prior notice.

For more information email us at: sales@dynics.com

Rev.2012-2.0

Visit us online at:
www.dynics.com

DYNICS

620 Technology Drive, Ann Arbor, MI 48108
 Ph. 734.677.6100 • Fax: 734-677-6105

