

### Description

PIX industrial computer modules are rugged modular steel construction built to order.

Available with active or passive backplanes and up to 3 PCI Slots. The various PIX modules can be combined with the various front displays to form a complete industrial computer solution in a slim panel PC format.

### Key Features

- Rugged modular steel construction built to order
- Ideal for FX, IC, NEMA IC, Legacy WX and INX Front Display Modules
- Configured in models with 0, 1 or 3 PCI Slots (1 PCI Express available)



### Specifications

PIX CHASSIS MODULE			
SPECS	PIX0	PIX1 / PIXE	PIX3
Expansion Slots	0 PCI Slots	1 PCI Slot / 1 PCI Express Slot	3 PCI Slots
System	<b>Mini-ITX Intel CP100:</b> Up to 8Gb DDR3, 4x USB, 2x Ethernet, 2x COM, DVI, VGA, 1x 3 Jacks Audio I/O, PS/2 <b>Mini-ITX ATI Fusion:</b> 2x Ethernet RealTek 1.0Gb, 4x USB 2.0, 2x RS232 Ports, Audio In/Out, DVI, PS/2 <b>Mini-ITX Intel Atom:</b> 2x Ethernet Intel 1 Gb Ports, 4x USB 2.0, 2x RS232, Audio I/O		
CPU	Intel Atom, AMD Mobile Fusion, iCore i3, i5, i7		
Operating System	Windows XP Pro, Windows XP Embedded, Windows 7, Windows 7 Embedded Standard, ROMDOS		
Memory	2.0Gb to 8Gb DDR2 or DDR3		
Storage Drives	2.5" SATA or PATA Hard Drives / 2.5" Solid State Drives / Industrial Compact Flash Cards		
Media Drives	Slim DVD/DVD-RW/CD/CD-RW (Mounting depth is increased 0.60" with rear mounted thin CD/DVD Drive on PIX0 & PIX1)		
Power Supply	1U 120~240 VAC Power Supply or Open Frame Fanless 24VDC Power Supply		
Temperature	0°~50°C (32°~122°F) Operating / -25°~60°C (-4°~140°F) Non-Operating		
Relative Humidity	20% ~ 80% Non-Condensing		
Shock	10G Operating / 15G Non-Operating		
Vibration	1.0G from 57-2000 Hz Operating / 2.5G from 57-2000 Hz Non-Operating		
Warranty	24 Month Limited Warranty. Extended Warranty Available, Contact Us For More Details		

### Dimensions



#### CHASSIS DIMENSIONS

	PIX0	PIX1 / PIXE	PIX3
Height	10.00"	10.15"	10.15"
Width	13.96"	14.18"	14.14"



#### MOUNTING DEPTH DIMENSIONS

	PIX0	PIX1 / PIXE	PIX3
Depth	2.32"	3.53"	4.86"

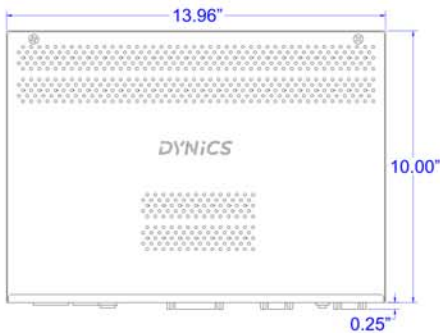
\* CD/DVD rear mounting increases by 0.60" only for PIX0, PIX1 & PIXE. PIX3 CD/DVD drive is integrated in chassis.

#### WORKSTATION WEIGHTS

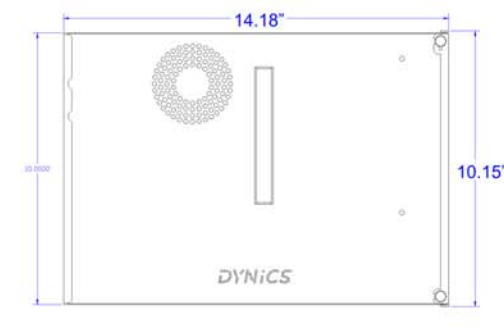
	PIX0	PIX1 / PIXE	PIX3
Weight	15.50 lbs	17.53 lbs	20.65 lbs

### Mechanical Drawing

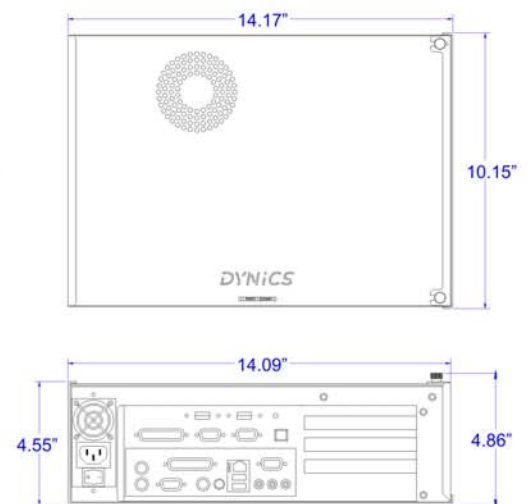
PIX0



PIX1



PIX3



All measurements are in inches and pounds, unless noted. Picture and drawings are not to scale.  
 Estimated weight may change depending on additional options.  
 Dynics reserves the right to change, modify, upgrade or discontinue to its discretion any part of this datasheet without any prior notice.

For more information email us at: [sales@dynics.com](mailto:sales@dynics.com)

Rev.2012-2.0

Visit us online at:  
[www.dynics.com](http://www.dynics.com)

**DYNICS**

620 Technology Drive, Ann Arbor, MI 48108  
 Ph. 734.677.6100 • Fax: 734-677-6105

