

Description

The INX Series is a stud-mounted drop-in replacement front interface module for the Legacy Ann Arbor Technologies INX Systems. The PIX Series are our most versatile line of industrial computer modules.

Solution for:
INX8500, INX9500

Key Features

- Rugged modular steel construction built to order
- Legacy replacement with 0, 1, 1 PCI Express, or 3 Slots
- Low/Medium Power Mini-ITX Board



Bottom View
(I/O at bottom)

Specifications

INX MONITOR DISPLAY		
SPECS	INX85	INX95
Display Size	15.0" TFT LCD	12.1" TFT LCD
Resolution	XGA 1024 x 768	SVGA 800 x 600
Viewing Angle	H: -65°/+65°, V: -60°/+50°	H: -65°/+65°, V: -60°/+50°
Contrast Ratio	450:1	450:1
Brightness	300 nits	300 nits
Bulb Life	CCFT Back Life estimated to be about 50,000 hours	
Interface Lens	5-Wire analog resistive touch sensor OR Protective lexan lens	
Mounting Bezel	NEMA 4 Powder coated aluminum OR NEMA 4X stainless steel	
Warranty	24 Month Limited Warranty. Extended warranty available, contact us for more details	

PIX CHASSIS MODULES			
SPECS	PIX0	PIX1 / PIXE	PIX3
Expansion Slots	0 PCI Slots	1 PCI / 1 PCI Express	3 PCI Slots
System	Mini-ITX Intel CP100: Up to 8Gb DDR3, 4x USB, 2x Ethernet, 2x COM, DVI, VGA, 1x 3 Jacks Audio I/O, PS/2 Mini-ITX ATI Fusion: 2x Ethernet RealTek 1.0Gb, 4x USB 2.0, 2x RS232 Ports, Audio In/Out, DVI, PS/2 Mini-ITX Intel Atom: 2x Ethernet Intel 1 Gb Ports, 4x USB 2.0, 2x RS232, Audio I/O		
CPU	Intel Atom, AMD Mobile Fusion, iCore i3, i5, i7		
Operating System	Windows XP Pro, Windows XP Embedded, Windows 7, Windows 7 Embedded Standard, ROMDOS		
Memory	2.0Gb to 8Gb DDR2 or DDR3		
Storage Drives	2.5" SATA or PATA Hard Drives / 2.5" Solid State Drives / Industrial Compact Flash Cards		
Media Drives	Slim DVD/DVD-RW/CD/CD-RW (Mounting depth is increased 0.60" with rear mounted thin CD/DVD Drive *)		
Power Supply	1U 120~240 VAC Power Supply or Open Frame Fanless 24VDC Power Supply		
Temperature	0°~50°C (32°~122°F) Operating / -25°~60°C (-4°~140°F) Non-Operating		
Relative Humidity	20% ~ 80% Non-Condensing		
Shock	10G Operating / 15G Non-Operating		
Vibration	1.0G from 57-2000 Hz Operating / 2.5G from 57-2000 Hz Non-Operating		
Warranty	24 Month Limited Warranty. Extended Warranty Available, Contact Us For More Details		

* Rear mounting increases only for PIX0, PIX1 & PIXE. PIX3 CD/DVD drive is integrated in chassis.



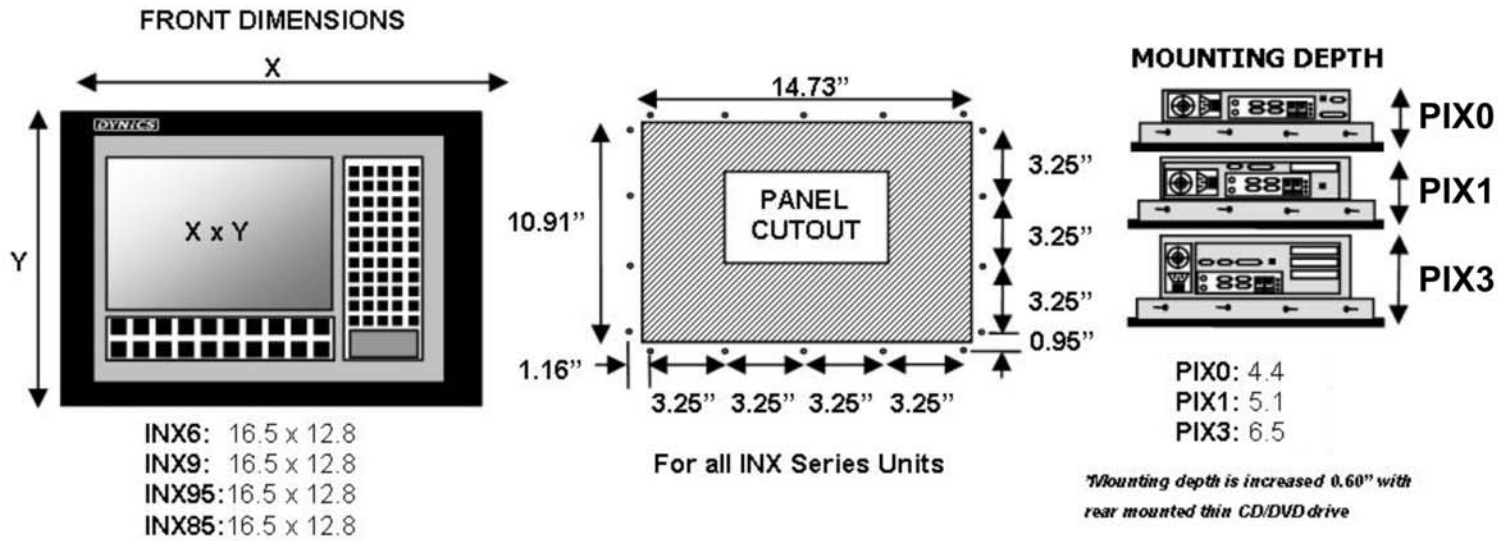
INX-PIX



Integrated Industrial Panel PC

DATASHEET

Dimensions



For more information email us at: sales@dynics.com

Rev.2012-2.0

Visit us online at:
www.dynics.com

DYNICS

620 Technology Drive, Ann Arbor, MI 48108
Ph. 734.677.6100 • Fax: 734-677-6105

