

# INX-MTX3



## Integrated Industrial Panel PC

## DATASHEET

### Description

The INX Series is a stud-mounted drop-in replacement front interface module for the Legacy Ann Arbor Technologies INX Systems.  
 The MTX3 is an industrial computer module, active backplane with 3 slots and high power MicroATX board.  
 Solution for:  
 INX6000, INX8500, INX9000, INX9500

### Key Features

- Rugged modular steel construction built to order
- Legacy replacement with up to 3 Slots
- High Power MicroATX Board



### Specifications

INX MONITOR DISPLAY				
SPECS	INX6	INX85	INX9	INX95
Display Size	10.4" TFT LCD w/75 key switch	15.0" TFT LCD	12.1" TFT LCD w/49 key switch	12.1" TFT LCD
Resolution	VGA 640 x 480	XGA 1024 x 768	SVGA 800 x 600	SVGA 800 x 600
Viewing Angle	H: -65°/+65°, V: -60°/+50°	H: -65°/+65°, V: -60°/+50°	H: -65°/+65°, V: -60°/+50°	H: -65°/+65°, V: -60°/+50°
Contrast Ratio	450:1	450:1	450:1	450:1
Brightness	300 nits	300 nits	301 nits	300 nits
Bulb Life	CCFT Back Life estimated to be about 50,000 hours			
Interface Lens	5-Wire analog resistive touch sensor OR Protective lexan lens			
Mounting Bezel	NEMA 4 Powder coated aluminum OR NEMA 4X stainless steel			
Warranty	24 Month Limited Warranty. Extended warranty available, contact us for more details			

MTX3 CHASSIS MODULE	
SPECS	MTX3
Expansion Slots	3 Slots
System	<b>MicroATX Intel iCore Mobile Board:</b> 1x PCIe x4, 1 PCIe x16, 2x Ethernet 1Gb, 4x USB 2.0 Ports, 3x RS232, 1x RS231/422/485, PS/2, Audio I/O, VGA, DVI
CPU	Intel iCore i3, i5, i7
Operating System	Windows XP Pro, Windows XP Embedded, Windows 2000, Windows Vista, Windows 7, ROMDOS
Memory	2.0Gb to 8Gb DDR3
Storage Drives	2.5" SATA or PATA Hard Drives / 2.5" Solid State Drives / Industrial Compact Flash Cards
Media Drives	Slim DVD/DVD-RW/CD/CD-RW
Power Supply	1U 120~240 VAC Power Supply or Open Frame Fanless 24VDC Power Supply
Temperature	0°~50°C (32°~122°F) Operating / -25°~60°C (-4°~140°F) Non-Operating
Relative Humidity	20% ~ 80% Non-Condensing
Shock	10G Operating / 15G Non-Operating
Vibration	1.0G from 57-2000 Hz Operating / 2.5G from 57-2000 Hz Non-Operating
Warranty	24 Month Limited Warranty. Extended Warranty Available, Contact Us For More Details

Rev.2012-2.0

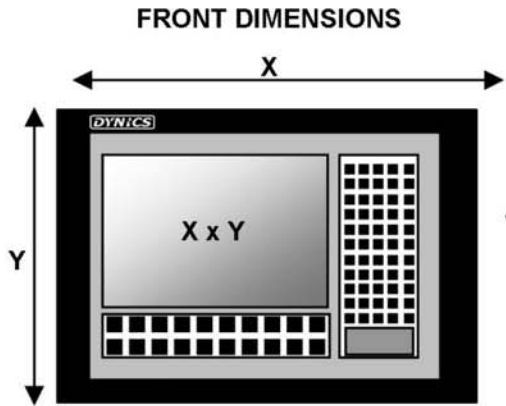
Visit us online at:  
[www.dynics.com](http://www.dynics.com)

DYNICS

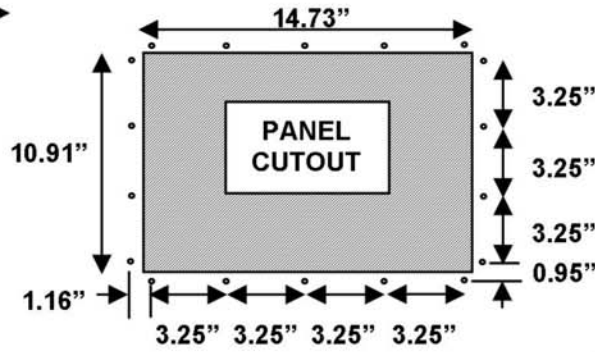
620 Technology Drive, Ann Arbor, MI 48108  
 Ph. 734.677.6100 • Fax: 734-677-6105



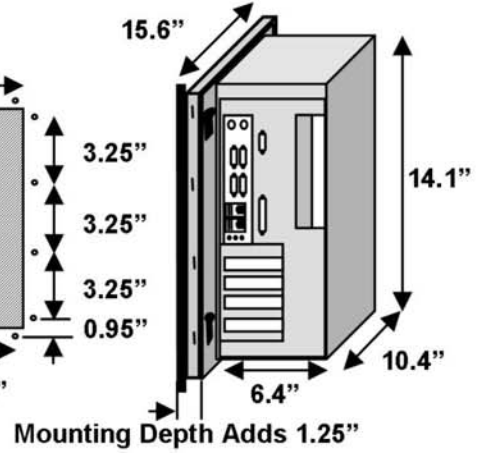
### Dimensions



INX6: 16.5 x 12.8  
INX9: 16.5 x 12.8  
INX95: 16.5 x 12.8  
INX85: 16.5 x 12.8



For All INX Series Monitors



MTX3 Panel Mount Chassis