

INX-FGX7



Integrated Industrial Panel PC

DATASHEET

Description

The INX Series is a stud-mounted drop-in replacement front interface module for the Legacy Ann Arbor Technologies INX Systems. FGX7 industrial computers are rugged modular steel construction built to order. Available with a passive backplane, and up to 6 slots. Solution for: INX6000, INX8500, INX9000, INX9500

Key Features

- Rugged modular steel construction built to order
- Legacy replacement with up to 7 Slots
- Passive backplane, Low/Medium power PICMG board

Specifications



INX MONITOR DISPLAY

SPECS	INX6	INX85	INX9	INX95
Display Size	10.4" TFT LCD w/75 key switch	15.0" TFT LCD	12.1" TFT LCD w/49 key switch	12.1" TFT LCD
Resolution	VGA 640 x 480	XGA 1024 x 768	SVGA 800 x 600	SVGA 800 x 600
Viewing Angle	H: -65°/+65°, V: -60°/+50°	H: -65°/+65°, V: -60°/+50°	H: -65°/+65°, V: -60°/+50°	H: -65°/+65°, V: -60°/+50°
Contrast Ratio	450:1	450:1	450:1	450:1
Brightness	300 nits	300 nits	301 nits	300 nits
Bulb Life	CCFT Back Life estimated to be about 50,000 hours			
Interface Lens	5-Wire analog resistive touch sensor OR Protective lexan lens			
Mounting Bezel	NEMA 4 Powder coated aluminum OR NEMA 4X stainless steel			
Warranty	24 Month Limited Warranty. Extended warranty available, contact us for more details			

FGX7 CHASSIS MODULE

SPECS	FGX7
Expansion Slots	7 Slots
System	PICMG Core 2 Duo: 2x Ethernet 1.0 Gb Ports, 2x USB 2.0 Ports, 2x RS232 Ports, 1x PS/2
CPU	Core 2 Duo Mobil, Core Solo Mobile
Operating System	Windows XP Pro, Windows XP Embedded, Windows 7, Windows 7 Embedded Standard, ROMDOS
Memory	2.0Gb to 4Gb DDR2
Storage Drives	2.5" SATA or PATA Hard Drives / 2.5" Solid State Drives / Industrial Compact Flash Cards
Media Drives	Slim DVD/DVD-RW/CD/CD-RW (Mounting depth is increased 0.60" with rear mounted thin CD/DVD Drive)
Power Supply	1U 120~240 VAC Power Supply or Open Frame Fanless 24VDC Power Supply
Temperature	0°~50°C (32°~122°F) Operating / -25°~60°C (-4°~140°F) Non-Operating
Relative Humidity	20% ~ 80% Non-Condensing
Shock	10G Operating / 15G Non-Operating
Vibration	1.0G from 57-2000 Hz Operating / 2.5G from 57-2000 Hz Non-Operating
Warranty	24 Month Limited Warranty. Extended Warranty Available, Contact Us For More Details

Rev.2012-2.0

Visit us online at:
www.dynics.com

DYNICS

620 Technology Drive, Ann Arbor, MI 48108
 Ph. 734.677.6100 • Fax: 734-677-6105



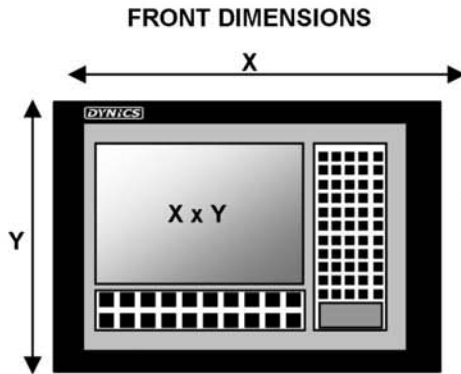
INX-FGX7



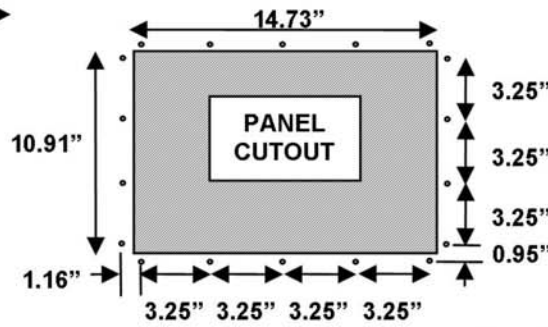
Integrated Industrial Panel PC

DATASHEET

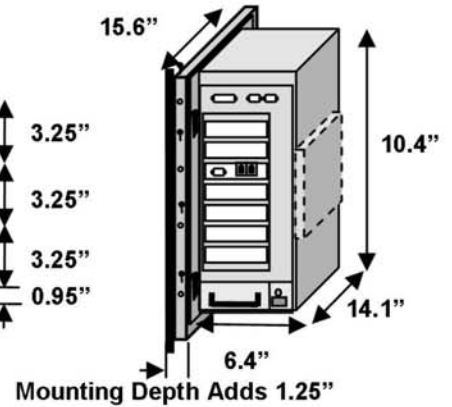
Dimensions



INX6: 16.5 x 12.8
INX9: 16.5 x 12.8
INX95: 16.5 x 12.8
INX85: 16.5 x 12.8



For all INX Series Units



FGX7 Chassis Dimensions

Rev.2012-2.0

Visit us online at:
www.dynics.com

DYNICS

620 Technology Drive, Ann Arbor, MI 48108
Ph. 734.677.6100 • Fax: 734-677-6105

