

Description

The IC front display module is a stud-mounted competitive drop-in replacement front interface module bezel system coupled with the H low power PC and PCI or ISA board.

All IC-H integrated industrial panel PCs are designed for quick installation and service. H Series are compact PC modules with passive backplanes.



Key Features

- Rugged modular steel construction built to order
- Small and compact computer system for most industrial environments
- Configured in models with PCI or ISA Slots



Specifications

IC MONITOR DISPLAY

SPECS	IC10	IC12
Display Size	10.4" TFT LCD	12.1" TFT LCD
Resolution	SVGA 800 x 600	SVGA 800 x 600
Viewing Angle	H: -40°/+60°, V: -60°/+60°	H: -70°/+70°, V: -60°/+50°
Contrast Ratio	500:1	500:1
Brightness	400 nits	400 nits
Bulb Life	CCFT Back Life estimated to be about 50,000 hours	
Interface Lens	5-Wire analog resistive touch sensor OR Protective lexan lens	
Mounting Bezel	NEMA 4 Powder coated aluminum OR NEMA 4X stainless steel	
Warranty	24 Month Limited Warranty. Extended warranty available, contact us for more details	

H CHASSIS MODULE

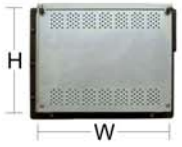
SPECS	H
Chassis	Passive Backplane for PCI Slots OR Passive Backplane for ISA Slots
System	PCI Celeron M Board: 1x Ethernet, 2x COM(RS232, RS232/422/485), 1x Parallel, 2x USB 2.0, 2x PS/2, VGA ISA Intel Atom N270: 1x Ethernet, 2x COM RS232, 1x Parallel, 2x USB 2.0 Ports, 1 PS/2, VGA
CPU	600 MHz Celeron M Fanless 400 FSB
Operating System	Windows XP Pro, Windows XP Embedded, Windows 7, Windows 7 Embedded Standard, ROMDOS
Memory	2.0 Gb RAM
Storage Drives	2.5" SATA or PATA Hard Drives / 2.5" Solid State Drives / Industrial Compact Flash Cards
Media Drives	Slim DVD/DVD-RW/CD/CD-RW (Mounting depth is increased 0.60" with rear mounted thin CD/DVD Drive *)
Power Supply	1U 120~240 VAC Power Supply or Open Frame Fanless 24VDC Power Supply
Temperature	0°~50°C (32°~122°F) Operating / -25°~60°C (-4°~140°F) Non-Operating
Relative Humidity	20% ~ 80% Non-Condensing
Shock	10G Operating / 15G Non-Operating
Vibration	1.0G from 57-2000 Hz Operating / 2.5G from 57-2000 Hz Non-Operating
Warranty	24 Month Limited Warranty. Extended Warranty Available, Contact Us For More Details

Dimensions



DISPLAY FRONT DIMENSIONS

	IC10	IC12
Height	10.0"	12.5"
Width	13.0"	14.8"



PANEL CUTOUT DIMENSIONS

	IC10	IC12
Height	8.9"	11.5"
Width	11.9"	13.8"

MOUNTING DEPTH DIMENSIONS

	IC10	IC12
H	6.38"	6.38"

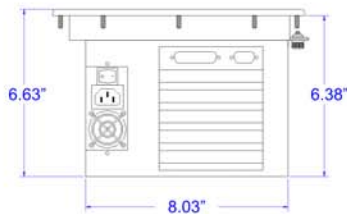
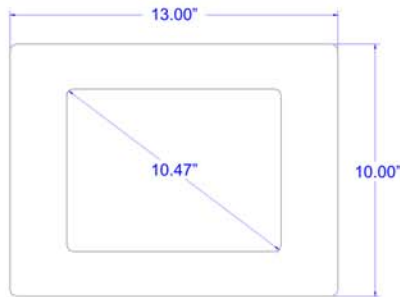
* CD/DVD rear mounting increases by 0.60"

WORKSTATION WEIGHTS

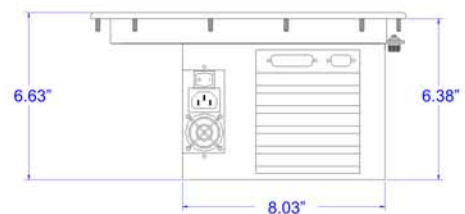
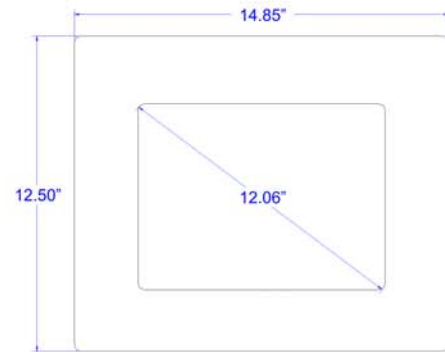
	IC10	IC12
H	23.15 lbs	24.50 lbs

Mechanical Drawing

IC10-H



IC12-H



All measurements are in inches and pounds, unless noted. Picture and drawings are not to scale.
 Estimated weight may change depending on additional options.
 Dynics reserves the right to change, modify, upgrade or discontinue to its discretion any part of this datasheet without any prior notice.

For more information email us at: sales@dynics.com

Rev.2012-2.0

Visit us online at:
www.dynics.com

DYNICS

620 Technology Drive, Ann Arbor, MI 48108
 Ph. 734.677.6100 • Fax: 734-677-6105

