

FX-MTX3



Integrated Industrial Panel PC

DATASHEET

Description

The FX front display module is a bracket-mounted competitive drop-in replacement front interface module.

The MTX3 is an industrial computer module, active backplane with 3 slots and high power Micro ATX board. Display bezel comes in two options: Stainless steel or black powder coated.

Key Features

- Rugged modular steel construction built to order
- Active backplane with 120~240 VAC Power Supply
- Configured in models with 3 Slots



Specifications



FX MONITOR DISPLAY

| SPECS | FX15 | FX17 | FX19 |
|----------------|---|----------------------------|----------------------------|
| Display Size | 15.1" TFT LCD | 17.1" TFT LCD | 19" TFT LCD |
| Resolution | XGA 1024 x 768 | SXGA 1280 x 1024 | SXGA 1280 x 1024 |
| Viewing Angle | H: -70°/+70°, V: -65°/+70° | H: -70°/+70°, V: -65°/+70° | H: -89°/+89°, V: -89°/+89° |
| Contrast Ratio | 700:1 | 800:1 | 1000:1 |
| Brightness | 350 nits | 300 nits | 300 nits |
| Bulb Life | LED backlight estimated to be at a minimum of about 50,000 hours | | |
| Interface Lens | 5-Wire analog resistive touch sensor OR Protective lexan lens | | |
| Mounting Bezel | NEMA 4 Powder coated aluminum OR NEMA 4X stainless steel | | |
| Warranty | 24 Month Limited Warranty. Extended warranty available, contact us for more details | | |

MTX3 CHASSIS MODULE

| SPECS | MTX3 |
|-------------------|--|
| Expansion Slots | 3 Slots: [2 PCI + 1 PCI Express] OR [2 PCI + 1 PCI Express x4] |
| System | Micro ATX Quad Core/Core 2 Duo: 2x PCI, 1x PCI Express, 1x Ethernet, 4x USB, 2x RS232, 2x PS/2, Audio |
| CPU | Core 2 Duo, Mobile Duo Core, Quad Core |
| Operating System | Windows XP Pro, Windows XP Embedded, Windows 7, Windows 7 Embedded Standard, ROMDOS |
| Memory | 2.0Gb to 8Gb DDR2 or DDR3 |
| Storage Drives | 2.5" SATA or PATA Hard Drives / 2.5" Solid State Drives / Industrial Compact Flash Cards |
| Media Drives | Slim DVD/DVD-RW/CD/CD-RW |
| Power Supply | 1U 120~240 VAC Power Supply or Open Frame Fanless 24VDC Power Supply |
| Temperature | 0°~50°C (32°~122°F) Operating / -25°~60°C (-4°~140°F) Non-Operating |
| Relative Humidity | 20% ~ 80% Non-Condensing |
| Shock | 10G Operating / 15G Non-Operating |
| Vibration | 1.0G from 57-2000 Hz Operating / 2.5G from 57-2000 Hz Non-Operating |
| Warranty | 24 Month Limited Warranty. Extended Warranty Available, Contact Us For More Details |

Rev.2012-2.0

Visit us online at:
www.dynics.com

DYNICS

620 Technology Drive, Ann Arbor, MI 48108
 Ph. 734.677.6100 • Fax: 734-677-6105



FX-MTX3



Integrated Industrial Panel PC

DATASHEET

Dimensions

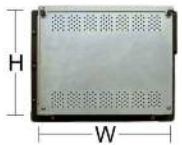


DISPLAY FRONT DIMENSIONS

| | FX15 | FX17 | FX19 |
|--------|-------|-------|-------|
| Height | 11.8" | 14.0" | 15.4" |
| Width | 15.8" | 17.8" | 18.8" |

MOUNTING DEPTH DIMENSIONS

| | FX15 | FX17 | FX19 |
|------|------|------|------|
| MTX3 | 7.8" | 8.0" | 8.3" |



PANEL CUTOUT DIMENSIONS

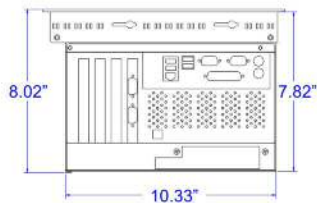
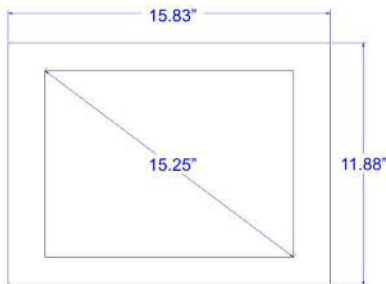
| | FX15 | FX17 | FX19 |
|--------|-------|-------|-------|
| Height | 11.2" | 12.9" | 14.5" |
| Width | 15.2" | 16.7" | 17.9" |

WORKSTATION WEIGHTS

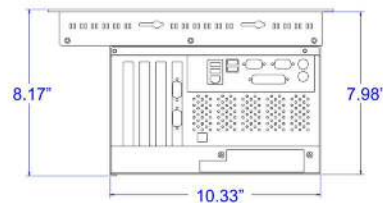
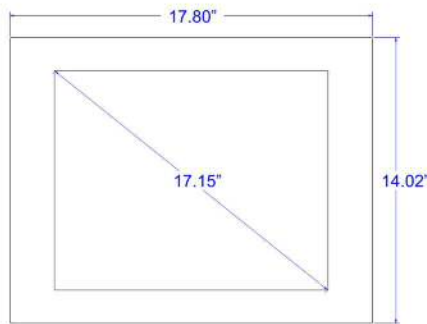
| | FX15 | FX17 | FX19 |
|------|----------|----------|----------|
| MTX3 | 33.55 bs | 38.25 bs | 41.90 bs |

Mechanical Drawing

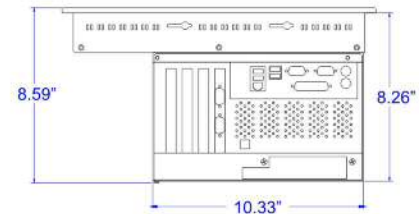
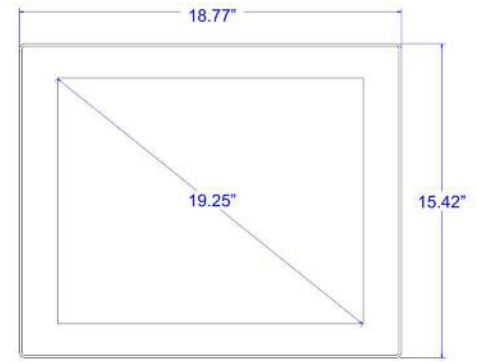
FX15-MTX3



FX17-MTX3



FX19-MTX3



All measurements are in inches and pounds, unless noted. Picture and drawings are not to scale.
 Estimated weight may change depending on additional options.
 Dynics reserves the right to change, modify, upgrade or discontinue to its discretion any part of this datasheet without any prior notice.

For more information email us at: sales@dynics.com

Rev.2012-2.0

Visit us online at:
www.dynics.com

DYNICS
 620 Technology Drive, Ann Arbor, MI 48108
 Ph. 734.677.6100 • Fax: 734-677-6105

