

### Description

The FX front display module is a bracket-mounted competitive drop-in replacement front interface module.

The FGX7 is an industrial computer module, passive backplane, up to 7 slots and low/medium power PICMG or PCISA board. Display bezel comes in two options: Stainless steel or black powder coated.



### Key Features

- Rugged modular steel construction built to order
- Active backplane with 120~240 VAC Power Supply
- Configured in models with 7 Slots

### Specifications



FX MONITOR DISPLAY			
SPECS	FX15	FX17	FX19
Display Size	15.1" TFT LCD	17.1" TFT LCD	19" TFT LCD
Resolution	XGA 1024 x 768	SXGA 1280 x 1024	SXGA 1280 x 1024
Viewing Angle	H: -70°/+70°, V: -65°/+70°	H: -70°/+70°, V: -65°/+70°	H: -89°/+89°, V: -89°/+89°
Contrast Ratio	700:1	800:1	1000:1
Brightness	350 nits	300 nits	300 nits
Bulb Life	LED backlight estimated to be at a minimum of about 50,000 hours		
Interface Lens	5-Wire analog resistive touch sensor OR Protective lexan lens		
Mounting Bezel	NEMA 4 Powder coated aluminum OR NEMA 4X stainless steel		
Warranty	24 Month Limited Warranty. Extended warranty available, contact us for more details		

FGX7 CHASSIS MODULE	
SPECS	FGX7
Expansion Slots	7 Slots: [1 System + 3 ISA + 3 PCI] OR [1 System + 2 ISA + 4 PCI]
System	<b>PICMG Core 2 Duo:</b> 2x Ethernet 1.0Gb Ports, 2x USB 2.0, 2x RS232 Ports, 1x PS/2
CPU	Core Solo Mobile, Core Duo Mobile, Core 2 Duo Mobile, Celeron Fanless
Operating System	Windows XP Pro, Windows XP Embedded, Windows 7, Windows 7 Embedded Standard, ROMDOS
Memory	2Gb to 4Gb DDR2
Storage Drives	2.5" SATA or PATA Hard Drives / 2.5" Solid State Drives / Industrial Compact Flash Cards
Media Drives	Slim DVD/DVD-RW/CD/CD-RW
Power Supply	1U 120~240 VAC Power Supply or Open Frame Fanless 24VDC Power Supply
Temperature	0°~50°C (32°~122°F) Operating / -25°~60°C (-4°~140°F) Non-Operating
Relative Humidity	20% ~ 80% Non-Condensing
Shock	10G Operating / 15G Non-Operating
Vibration	1.0G from 57-2000 Hz Operating / 2.5G from 57-2000 Hz Non-Operating
Warranty	24 Month Limited Warranty. Extended Warranty Available, Contact Us For More Details



# FX-FGX7



## Integrated Industrial Panel PC

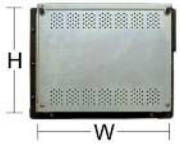
## DATASHEET

### Dimensions



#### DISPLAY FRONT DIMENSIONS

	FX15	FX17	FX19
Height	11.8"	14.0"	15.4"
Width	15.8"	17.8"	18.8"



#### PANEL CUTOUT DIMENSIONS

	FX15	FX17	FX19
Height	11.2"	12.9"	14.3"
Width	15.2"	16.6"	17.7"

#### MOUNTING DEPTH DIMENSIONS

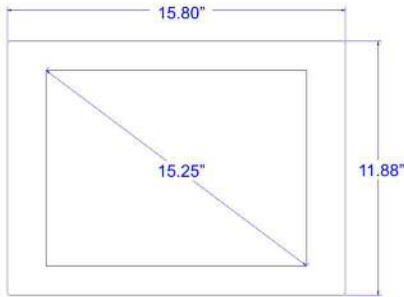
	FX15	FX17	FX19
FGX7	7.7"	7.9"	8.2"

#### WORKSTATION WEIGHTS

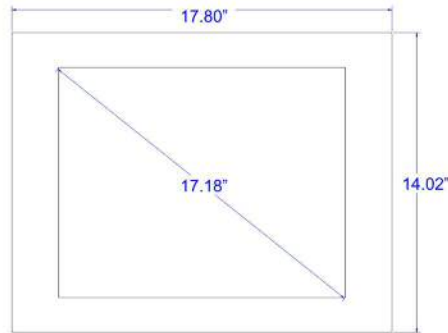
	FX15	FX17	FX19
FGX7	37.55 lbs	42.25 lbs	45.90 lbs

### Mechanical Drawing

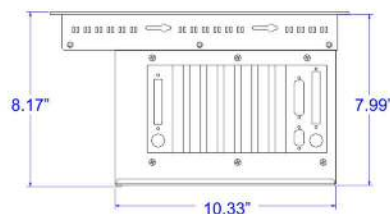
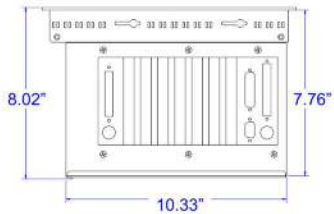
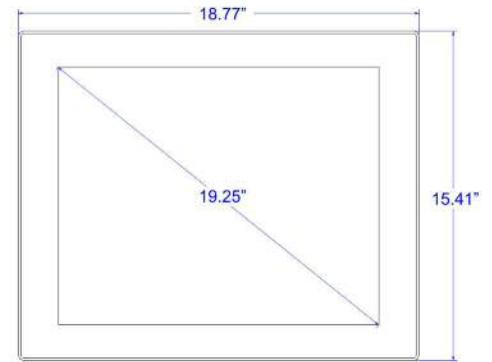
FX15-FGX7



FX17-FGX7



FX19-FGX7



All measurements are in inches and pounds, unless noted. Picture and drawings are not to scale.  
 Estimated weight may change depending on additional options.  
 Dynics reserves the right to change, modify, upgrade or discontinue to its discretion any part of this datasheet without any prior notice.

For more information email us at: [sales@dynics.com](mailto:sales@dynics.com)

Rev.2012-2.0

Visit us online at:  
[www.dynics.com](http://www.dynics.com)

**DYNICS**  
 620 Technology Drive, Ann Arbor, MI 48108  
 Ph. 734.677.6100 • Fax: 734-677-6105

