

Description

ATX7 industrial computer modules are rugged modular steel construction built to order.

Available with active backplanes and up to 7 slots. Add your choice of operating systems and custom configurations to get one of our most versatile and durable industrial computer systems.



Key Features

- Rugged modular steel construction built to order
- Stand alone PC or coupled with FX, IC or Legacy WX Front Display Modules
- High Power ATX board

Specifications

ATX7 CHASSIS MODULE	
SPECS	ATX7
Expansion Slots	7 Slots
System	ATX Core 2 Duo / Quad Core: 1 PCIe, x16 Slot, 5 PCI, 1 Shared ISA/PCI, 2 Ethernet 1 Gb, 4 USB 2.0 Ports, 6 COM (5 RS232, 1 RS232/422/485), 2 PS/2. Audio I/O, VGA
CPU	Core 2 Duo Mobil / Core 2 Quad
Operating System	Windows XP Pro, Windows XP Embedded, Windows 7, Windows 7 Embedded Standard, ROMDOS
Memory	2Gb to 4Gb DDR2
Storage Drives	2.5" SATA or PATA Hard Drives / 2.5" Solid State Drives / Industrial Compact Flash Cards
Media Drives	Slim DVD/DVD-RW/CD/CD-RW
Power Supply	1U 120~240 VAC Power Supply or Open Frame Fanless 24VDC Power Supply
Temperature	0°~50°C (32°~122°F) Operating / -25°~60°C (-4°~140°F) Non-Operating
Relative Humidity	20% ~ 80% Non-Condensing
Shock	10G Operating / 15G Non-Operating
Vibration	1.0G from 57-2000 Hz Operating / 2.5G from 57-2000 Hz Non-Operating
Warranty	24 Month Limited Warranty. Extended Warranty Available, Contact Us For More Details

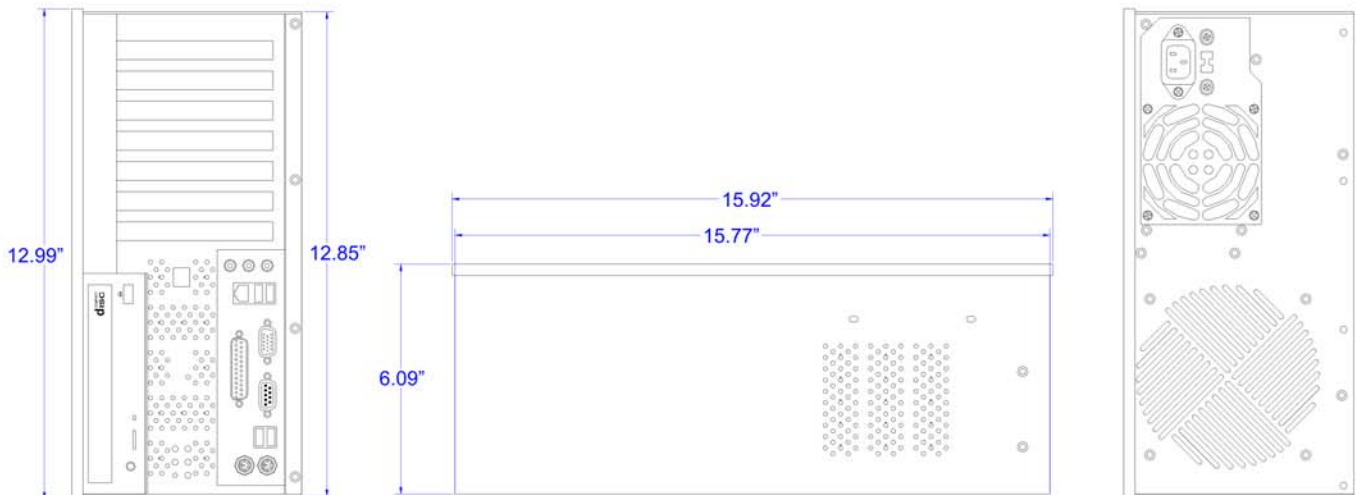
Dimensions



ATX7	
Height	12.85"
Width	6.09"
Depth	15.77"
Weight	24.05 lbs



Mechanical Drawing



All measurements are in inches and pounds, unless noted. Picture and drawings are not to scale.
Estimated weight may change depending on additional options.
Dynics reserves the right to change, modify, upgrade or discontinue to its discretion any part of this datasheet without any prior notice.

For more information email us at: sales@dynics.com

Rev.2012-2.0

Visit us online at:
www.dynics.com

DYNICS

620 Technology Drive, Ann Arbor, MI 48108
Ph. 734.677.6100 • Fax: 734-677-6105

Proudly made in U.S.A.